

IT IS YOUR RESPONSIBILITY TO ENSURE THE SAFETY OF YOUR LOADS

The following are factors that will increase pressures. Some will be dangerous.

- **DO NOT USE** more powder than recommended
- **DO NOT USE** a heavier bullet than recommended
- **DO NOT SEAT** the bullet deeper than normal
- **DO NOT USE** magnum primers unless using a slow burning ball powder that are too long will cause higher pressures.
- **Greatly oversize bullets, excessively hard bullets or cases that are too long will cause higher pressures.**
- **High temperatures, or cartridges that were stored in a hot car or car trunk will produce higher pressures**

CASES

The easiest and best way of getting cases is to simply save those from your factory loaded rounds. New and used cases can also be purchased. Cases must be clean and safe. Do not use cases that have cracks or splits. If they have been used more than twice, they should be checked to see that none of them have become too long for safe use. The easiest way is to trim them is with a Lee Case Trimmer. This automatically cuts them to the correct length and no gauging or measuring is needed. After trimming, be sure to chamfer both the inside and outside of the case. A Lee Chamfer Tool works best, but it can be done with a pocket knife.

Straight sided cases, such as those used by most handguns, are loaded with a 3-die set.

MILITARY CASES

Used military cases are readily available at low cost. Usually, these have primers that are crimped in place. This is to prevent the primer from coming loose in automatic weapons and jamming the action at an inopportune time. The crimp must be removed before repriming. This can be done with a primer pocket reamer or swaging tool. Even a Lee Chamfer Tool can be used to ream the crimp.

POWDER

Powder is usually classified as smokeless and black powder. There is also Pyrodex, which is a substitute for black powder. We will be using only smokeless powder for reloading.

Each set of Lee Dies is supplied with powder measure and charge table with a generous selection of loads. Additional load data is available from all the powder manufacturers and bullet makers. This is excellent information and should be followed exactly.

Different powders are available to do different jobs. Bullets having a high sectional density (long length in relation to their diameter) require a slow burning powder. This permits sustained peak pressure to gain maximum acceleration within working pressure limits.

Short, light bullets use quicker burning powder for complete combustion within the barrel.

A wide selection of powder is readily available.

Powders should always be stored in their original containers. While smokeless powder is not an explosive and not as dangerous to handle as gasoline, it would be foolish to handle it carelessly and store excessive amounts. Follow powder manufacturers' recommendations for storage and use.

PRIMERS

Rifle and pistol cartridges require different primers. Rifle primers have a thick and stronger cup to withstand the higher pressure. Pistol primers have a thinner cup for easy detonation with a lighter hammer blow. Both rifle and pistol primers are available in regular and magnum.

Use regular for all loads except if the load data specifies magnum primers.

Primers must always be stored in their original containers. It is always a wise idea to wear safety or shooting glasses when shooting or reloading.

BULLETS

Commercial rifle bullets usually have a soft lead core with a copper jacket. Point shapes come in a variety of styles, but usually have some soft lead exposed to properly mushroom on impact.

The jackets serve a dual purpose: to control the bullet expansion and act as a bearing surface for its high speed travel down the bore. Some bullets have a crimping groove called a cannelure. This groove must be seated almost entirely in the case when crimping the case. The very end of the case mouth is turned into this groove by the bullet seating die used in a tubular magazine gun and most revolver ammunition.

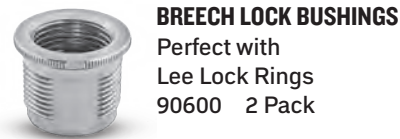
Cast bullets are very popular with the hand-loader. They are very economical to use and can be as accurate as jacketed bullets. They do not normally expand as well as soft lead jacketed bullets on game. Therefore, it is poor economy to use them for hunting.

CRIMPING

Ammunition loaded for hunting should always have the bullets crimped in place, as should ammunition used in tubular magazine and auto-loading rifles. It could ruin your hunt if a bullet wedged in the chamber or pushed back into the case. Best accuracy is usually obtained with crimped ammo as the crimp has an effect on ignition, velocity, pressure and ballistic consistency. No die does a better job crimping than the patented Lee Factory Crimp Die.

HAVE A BREECH LOCK PRESS? YOU MAY WANT BUSHINGS.

BREECH LOCK BUSHINGS FIT ALL LEE BREECH LOCK PRESSES.
ALLOWS FOR INSTANT, ACCURATE DIE CHANGES.



BREECH LOCK BUSHINGS
Perfect with
Lee Lock Rings
90600 2 Pack



LOCK RING ELIMINATOR
Breech lock quick change
bushing with integral lock collar
provides unmatched precision
and convenience when adjusting
dies. Split clamp positively locks
die into position.
90063 2 Pack

Lee Deluxe Quick Trim Case Trimmer #90437

After a few loadings, cases tend to get longer. This could be dangerous if the case were so long that it would pinch the bullet in the end of the chamber. Pressure high enough to damage the gun could result. A convenient way to trim to the correct safe length is with the **LEE QUICK TRIM CASE TRIMMER**. Install the appropriate Quick Trim Die — and 5 quick turns of the crank will yield a perfectly trimmed and chamfered case.



Lee Safety Powder Scale #90681



It is the easiest to use, most accurate and sensitive powder scale made exclusively to weigh gun powder. The Lee Safety Scale has magnetic dampening and an approach to weight lifter enclosed within its heavy metal base. The exclusive safety beam has a stainless steel razor edge for maximum sensitivity. You can be sure that the Lee Safety Scale will retain its original factory accuracy for as long as it is not physically broken.



Lee Turret Press #90932

When you want to increase production and no longer want to screw dies in and out of your press, consider the Lee Turret Press. A strong, powerful tool that will handle the largest magnum case with ease. Built in primer arm seats primer on the downstroke and the snap in turret lets you set your dies once. When it's time to change calibers, simply snap in a new turret and shell holder and you are ready to load.

NOTE Shown on Reloading Stand. Sold separately, order #90688

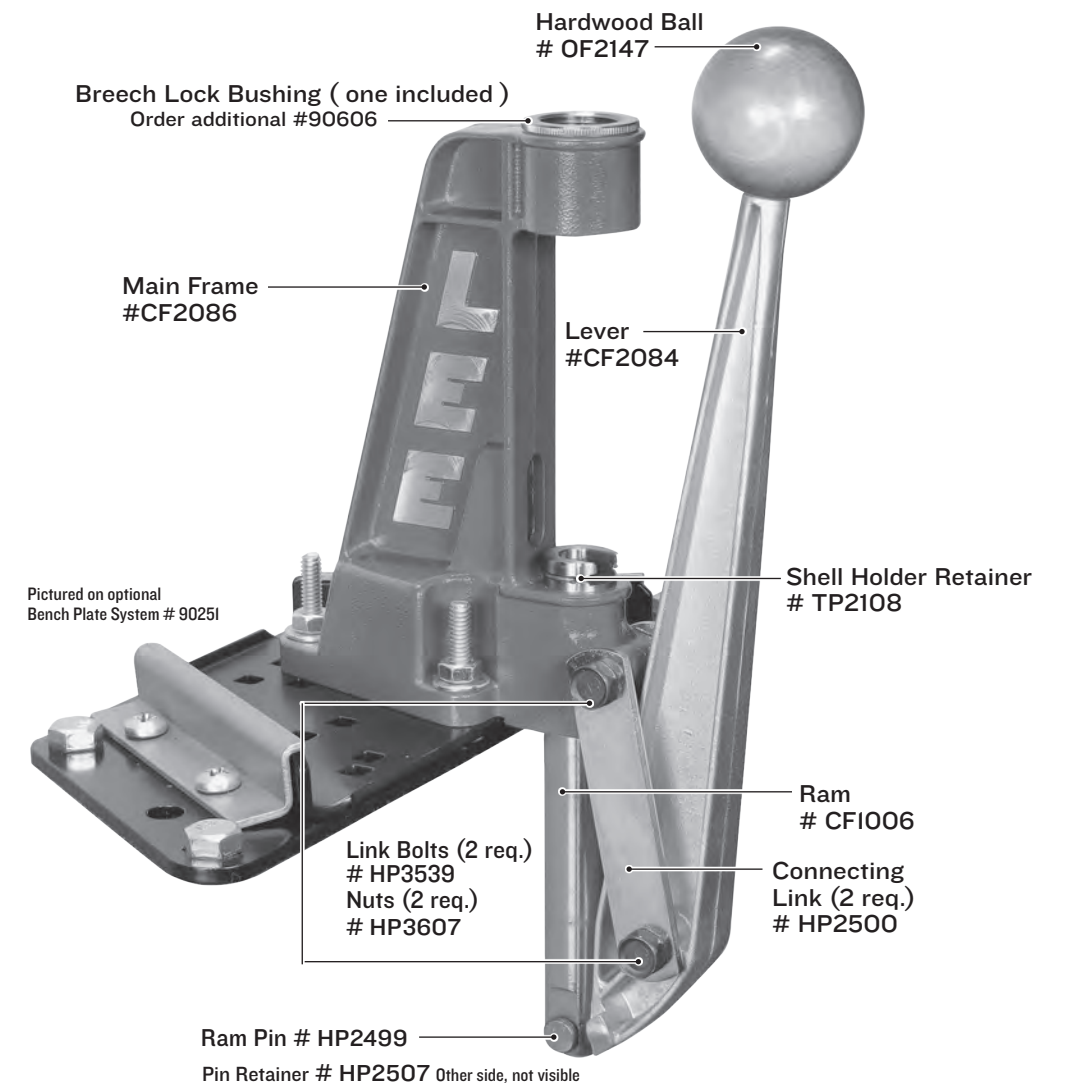
LEE

LEE PRECISION, INC. 4275 Highway U Hartford Wisconsin 53027 www.leeprecision.com

COMPLETE INSTRUCTIONS FOR

LEE

Lee Breech Lock Reloader Press



THE LEE GUARANTEE

Lee Reloading products are guaranteed not to wear out or break from normal use for two full years, or they will be repaired or replaced at no charge if returned to the factory. Any Lee product of current manufacture, regardless of age or condition, will be reconditioned to new, including a new guarantee, if returned to the factory with payment equal to half the current retail price.

CAUTION

Ammunition reloading can be dangerous if done improperly and should not be attempted by persons not willing and able to read and follow instructions exactly. Children should not be permitted to reload ammunition without strict parental supervision. Always wear safety glasses when reloading and shooting. Ammunition loaded with these tools and data should only be used in modern guns in good condition. We do not accept responsibility for ammunition loaded with these tools or data as we have no control over the manufacture and storage of components or the loading procedure and techniques. Primers and gun powders, like gasoline and matches, can be dangerous if improperly handled or misused.

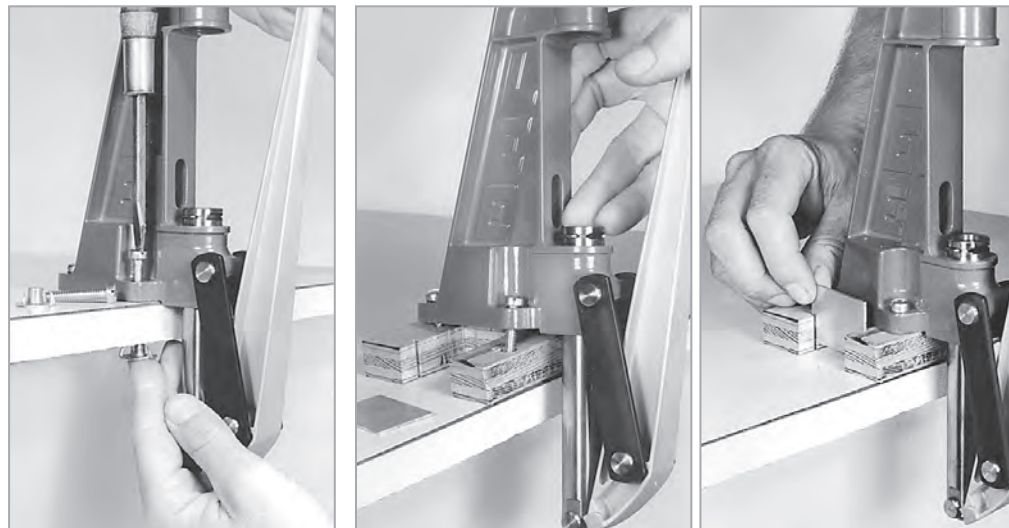
LEE

LEE PRECISION, INC. 4275 Highway U Hartford Wisconsin 53027 www.leeprecision.com

1.22.16	Lee Precision, Inc.	8544	CHECKED BY
CF1391 Lee BreechLock Reloader 6Panel			

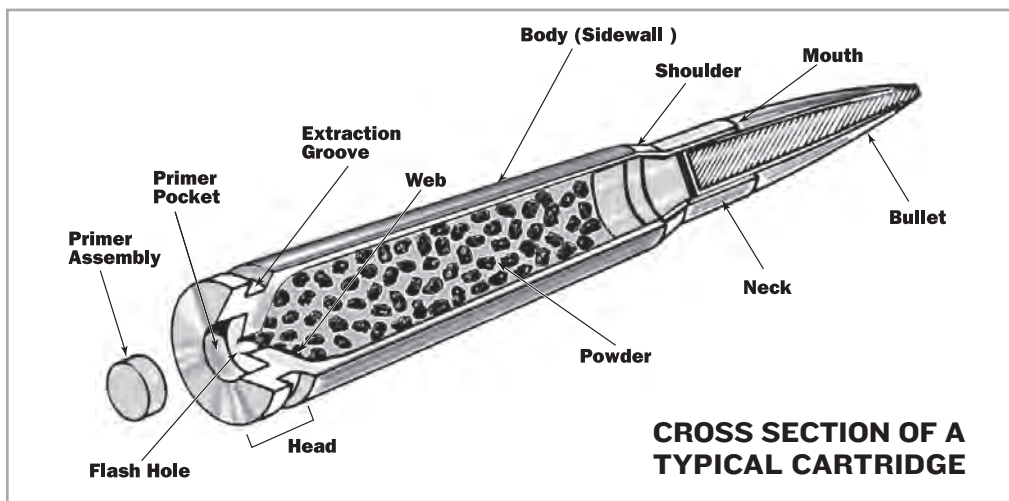
CF1391

BEFORE YOU START RELOADING SETTING UP YOUR LEE BREECH LOCK RELOADER PRESS



ATTACH your press with (3) 1/4" bolts. Use 'T' nut for quick removal to empty spent primers. **NOTE** You may drill a hole through the bench and catch the primers in a container below.

YOU CAN MAKE your own easy-to-empty spent primer reservoir.



CROSS SECTION OF A TYPICAL CARTRIDGE

RELOADING IS QUITE A SIMPLE PROCESS

- 1 Case is sized to original dimensions and the spent primer is removed
- 2 Install a new primer
- 3 Add a charge of powder
- 4 Seat a new bullet and crimp if desired

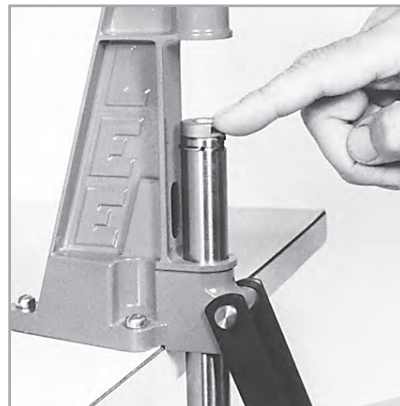
Remove spent primer and size case Install new primer Add powder Seat a new bullet

RELOADING SAFETY

- Keep powder away from heat and open flames — Don't smoke
- Store powder and primers in their original containers in a cool, dry place
- Read and follow instructions exactly
- Be sure you have the correct powder, measure and bullet of the correct weight
- Any mixup can be dangerous
- Exercise care and common sense at all times

WEAR SAFETY GLASSES WHEN RELOADING OR SHOOTING

YOU CAN NOW BEGIN RELOADING



1 **INSTALL SHELLHOLDER**



2 **INSTALL SIZING DIE** If cost is more important than convenience, you can leave the quick change bushing permanently installed after installing the sizing die. While holding the handle against the stop, screw the die in until it touches the shell holder, then release pressure from the handle and screw in the die in additional 1/4 to 1/2 of a turn maximum. Now while holding the die, tighten the lock ring. **NOTE:** Carbide dies should not be screwed in the additional 1/4 to 1/2 turn.



3 **PREPARE YOUR CASES** Inspect your cases while lubricating them. Discard all cases with split necks, indications of head separation or other defects. Wipe on a thin film of Lee Case Lubricant with your fingers. Fingers are the best way of lubing a case as any grit that could damage the die is wiped away. The case may be immediately sized or you can let the lube dry.



Be sure to lube the inside of the case neck with a cotton swab.

CAUTION

If for any reason you do not use Lee Resizing Lubricant, be very careful not to contaminate the powder or primers. All other brands are oil based and have serious, detrimental effects on powder and primers. Because of the stickiness, they also attract grit that can damage the die. Lee Resizing Lubricant costs less and is so superior that it is worth the effort to insist upon it or order direct from the factory.

LEAD WARNING Primers contain lead: a substance known to cause birth defects, reproductive harm, and other serious physical injury. Wash hands after exposure.



4 **PLACE LUBRICATED CASE** in the shell holder and raise the ram until the handle comes to a stop. Lower the ram and remove case.



To remove quick-change bushing, rotate the die 1/6 of a turn counterclockwise, lift out. You can add bushing to your next die, or install an additional bushing on the rest of your dies for quick-change convenience.

Carbide dies need **NO LUBRICATION**

5 **PRIME** your case with one of the optional priming tools. Follow instructions included with the tool.



RAM PRIME
Safe with all brands of primers.
90106

New Auto Prime
It's the fastest, most convenient way to prime cases off the press. Perfect for those that clean primer pockets or prefer to prime in their easy chair. No need to endlessly swap shell holders from your press.
90230

Hand held and requires special, but inexpensive shell holders.

THIS STEP IS OMITTED WITH MOST RIFLE 2-DIE SETS



6 **FLARE CASE MOUTH**

for ease of bullet installation. Raise the ram to expand the case neck. To increase the flare, screw the die in deeper. Always adjust to provide the minimum flare needed to start the bullet. After proper adjustment, tighten the lock ring. Powder may be added through Lee Expanding Die.

7 **CHARGE THE CASE** Regardless of how you charge the case, be absolutely certain you have the correct amount and type of powder for the bullet you have selected.

NEVER try to seat the primer deeper after the powder has been added.

9 **SEAT BULLET** Place a bullet on the case mouth and guide it into the die. Raise the ram to the top and withdraw. The knurled adjusting screw controls the bullet seating depth. Adjust to suit. Usually, seating to the same depth as a factory round works fine. If you desire to crimp, be sure the bullet crimp groove is almost completely inside the case. Then screw the die in just enough to apply a good crimp. Attempts to apply excessive crimp will crush the case. For proper crimp, all cases must be trimmed to the same length. For best utility and accuracy, consider the Lee Factory Crimp Die. You will never crush a case; no crimp groove is required and trim length is not critical.

8 **SCREW** the bullet seating die in until you feel it touch the case mouth. If no crimp is desired, back the die out 1/2 turn. If a crimp is desired, turn the die in 1/4 turn.



10 **IF LOADING** maximum loads, it is a good practice to remove all traces of case lubricant with detergent and water. This will reduce pressure against the bolt.



Lee Factory Crimp Die