

AMERISTEP®

NON-TYPICAL SERIES



THE **HITMAN** CLIMBER TREE STAND

Instruction and Safety Manual

Model #7507B

NEW! "From the Ground Up"™ Instruction DVD included with this product. If you need further instruction on set up / take down, please refer to Instructional Chapter on the Main Menu.

Thank You! for purchasing Ameristep® Non-Typical Hitman Climber

! CAUTION: Maximum Tested Weight Capacity Limit for this Product is: **300 POUNDS**
(Including Accessories, Gear and Attire) **DO NOT** Exceed tested weight limit capacity.

! This product is designed for only ONE PERSON.

! CAUTION: Minimum tree diameter must be no less than 9 inches and Maximum is 20 inches.

! WARNING: Every year serious injury and even death occurs from hunting related falls. To ensure your safety, please COMPLETELY read and follow this safety manual and ALL warning labels BEFORE assembling, installing, or utilizing this product.

DO NOT USE THIS AMERISTEP® PRODUCT BEFORE FULLY UNDERSTANDING ALL SAFETY WARNINGS AND INSTRUCTIONS. IF YOU HAVE QUESTIONS, ARE UNSURE ABOUT ANY INFORMATION, or NEED ADDITIONAL INFORMATION CONCERNING THIS PRODUCT, CONTACT OUR CUSTOMER SERVICE DEPARTMENT. KEEP AND MAINTAIN THIS SAFETY & INSTRUCTION MANUAL FOR FUTURE REFERENCE.

TREE/LADDER STAND SAFETY INSTRUCTIONS/WARNINGS

Please read the following instruction manual and warning labels completely before utilizing this product. Failure to understand and execute these instructions and warnings may result in serious injury or death. KEEP THIS INSTRUCTION MANUAL IN A SAFE PLACE AND REVIEW ANNUALLY.

- **ALWAYS** read and understand these WARNINGS & INSTRUCTIONS before using this product each season. Practice at ground level prior to using at elevated positions. Maintain the WARNINGS & INSTRUCTIONS for later review as needed, for instructions on usage to anyone borrowing your stand. Use all safety devices provided with this product. Never exceed weight limit specified by Manufacturer. If you have any questions after reviewing the WARNINGS & INSTRUCTIONS, please contact Ameristep®. **DO NOT** lend this product to anyone unless they have read this manual and fully understand the Instructions and warnings provided.
- **ALWAYS** inspect for any damaged or missing pieces after removing all contents from box and cardboard from products. If you think parts are missing or damaged, contact Ameristep's Customer Service Department. Do Not begin to assemble if any parts are missing or damaged.
- **DO NOT** modify or alter your Tree/Ladder Stand. Improper installation or adjustment may cause serious injury or death. You must only use Ameristep® certified replacement parts. Using any other replacement parts will void product warranty. **DO NOT** use homemade or permanently elevated stands or make modifications to a purchased TREE/LADDER STAND.
- **ALWAYS** inspect THIS PRODUCT and SAFETY HARNESS (TMA Certified Full Body Harness - FAS) for signs of wear or damage BEFORE each use. Pay special attention to hardware and webbing guaranteeing that nothing is frayed or severed. Destroy all products that cannot be repaired by Manufacturer and/or exceed recommended expiration date. The FAS should be discarded and replaced after **3 YEARS OR** after a fall has occurred.
- **ALWAYS** use a full body safety harness when using this product. This product may include a TMA Certified Full Body Harness (FAS). The FAS must always be connected to yourself and tree during ascending, hunting and descending. For proper and safe use of Ameristep® Tree stands, Ladder stands, Rapid Rails, Strap on Seats and Climbing Sticks attachment straps MUST be replaced every three years. All attachment straps and Ameristep® Harnesses comes with a date of production **OR** expiration date on actual product. This product is intended for hunting ONLY.
- **DO NOT** use this product under the influence of alcohol, medication (prescription or non-prescription), or any illegal substance. Using this product while under influence of any of these substances may result in serious injury or death.
- **DO NOT** use this product if you have a history of heart problems, back problems, high blood pressure, impaired vision, equilibrium impairments, dizzy, if you are not physically fit, or ill in any way; If have been advised by a doctor or other healthcare provider not to climb, or have any condition that would impair your ability to use climber. Physical ailments can reduce your ability to safely install, utilize, and remove your product. Please consult a physician prior to use. Be sure you are well rested and alert and **NEVER** fall asleep in your stand as you may fall out resulting in serious injury or death.
- **NEVER** transport any equipment with yourself while ascending or descending the tree. Always transport your gun unloaded (with chamber open and safety lock engaged), bows with or without arrows, knives or any other equipment with a Haul Line (such as our Hoist Rope). After securing yourself to tree, freeing your hands during ascending and descending for safety to pull up gear, unloaded firearm or bow to TREE/LADDER STAND once you have reached your desired hunting height. Prior to descending, lower equipment on opposite side of tree you are climbing. Make sure that the unloaded firearm's safety lock is engaged and gun barrel is pointed toward ground.
- **ALWAYS** know your physical limitations. Falls can occur anytime after leaving the ground. Don't take chances. If you start thinking about how high you are, don't go any higher. Instead, choose a minimum height that will allow for safe, effective, and comfortable hunting.
- **ALWAYS** attach your Full Body Harness in the manner and method described by the Manufacturer. Failure to do so may result in suspension without the ability to recover into your TREE/LADDER STAND. Beware of hazards associated with Full Body Harnesses and the fact that prolonged suspension in a harness may be fatal. Failure to recover in a timely manner could result in serious injury or death. Have in place a plan for rescue, including the use of cell phones or signal devices that may be easily reached while suspended. If rescue personnel cannot be notified, you must have a plan for recover/escape. If you have to hang suspended for a period of time before help arrives, exercise your legs by pushing against the tree or doing any other form of continuous motion. If you do not have the ability to recover/escape, hunt from the ground. Ameristep's Tree/Ladder Stands are designed for hunters to wear a Full Body Harness (FAS). If you are not completely comfortable and confident with your ability to safely install, ascend, descend and hunt using a Full Body Safety Harness and this product, **DO NOT PROCEED**.
- **ALWAYS** have a minimum of three people present when installing or removing this product **AND** hunt with a plan and a buddy. Before you leave home, let others know your exact hunting location, when you plan to return & who is with you.
- **ALWAYS** have a communication device on your person and easily accessible. Immediate access to another person may save your life. In the event of an accident, a rescue plan must be in place and able to be incorporated immediately. **ALWAYS** carry emergency signal devices such as a cell phone, walkie-talkie, whistle, signal flare, PLD (personal locator device) and flashlight on your person at all times and within reach even while you are suspended in your FAS. In the event of an accident, remain calm and seek help immediately. **DON'T PANIC!**
- **NEVER** adjust your stand while in use. Always ensure that you and your ladder stand are safely secured to a healthy tree. A checklist for selecting a safe tree is also included in the instructions. Your TREE/LADDER STAND must be attached tightly to the tree and secured in place. ALL contact points must be in contact with tree BEFORE you step onto your TREE/LADDER STAND. If the stand is not secure, it may shift while in use, and may result in serious injury.
- **NEVER** jump on the platform OR stand on the seat OR lean out from the ladder stand for any reason.
- **NEVER** use this product for trimming trees OR as a household ladder.
- **NEVER** leave stand unattended. Always fully inspect this product before each use. **DO NOT** use if any bolts or nuts are loose, bent or crooked.
- **NEVER** let children play or use this product without adult supervision. This product is not a toy.
- **NEVER** use during inclement weather. DO NOT use during thunderstorms or any other weather conditions that include (but not limited to) lightning, high wind, freezing rain. Your product must always be free from moisture, mud, frost, snow, ice or any other slippery surface that may compromise your safety and could potentially create dangerous conditions. **ALWAYS** watch for changing weather conditions.



TREE/LADDER STAND SAFETY INSTRUCTIONS/WARNINGS

Ameristep® Tree/Ladder Stands are designed with your safety being our primary concern. We have invested time to properly design, engineer, manufacture, and test this product's safety. This Tree/Ladder Stand will continuously be safe with appropriate equipment, usage and maintenance followed carefully in this safety and instruction booklet. Ameristep® and Ameristep® Retailers will not be responsible for any misuse of this product.

PRACTICE, PRACTICE, PRACTICE !!

ALWAYS practice in your Full Body Safety Harness in presence of a responsible adult, learning what the harness feels like to hang suspended in it at ground level. Practice using your new Product at ground level. Wear your entire hunting gear and Full Body Safety Harness while you practice climbing and shooting. The use of a Lineman's Belt is required when installing, ascending or descending. Also practice in low light conditions, which are common while hunting. Before you climb any tree, familiarize yourself with the dynamics involved in hunting from extreme heights, performing in every possible condition, and under each probable circumstance. Read the instruction manual and practice with your new product for complete understanding in the working process. Failure to do so may result in serious injury or death. **If you DO NOT own a Full Body Safety Harness or have not practiced using a Full Body Safety Harness (FAS), DO NOT use this product under any circumstance.**

PROPER CARE AND MAINTENANCE:

- **ALWAYS** inspect for defects from damage, rot, corrosion, cracks caused from freezing or excessive heat.
- **DO NOT** use if damage is detected or suspected.
- **ALWAYS** insure the appropriate maintenance such as retightening, or replacement of parts, preserving or refinishing wood, touch-up painting and lubrication is recommended.
- **DO NOT** leave your Tree/Ladder Stand outside **OR** in a tree for more than two weeks at a time. Store inside when not in use.

CHOOSING A SAFE TREE

- **ALWAYS** thoroughly inspect the tree before installing your product. **DO NOT** install your Ladder Stand on to any dead or unsafe tree, telephone or utility pole, structural column, or man-made structure. Doing so may result in serious injury or death.
- **ALWAYS** select the proper tree for use with your TREE/LADDER STAND. Select a live straight tree that fits within size limits recommended (minimum tree diameter must be no less than 9 inches and maximum of 20 inches.). **DO NOT** rely on a branch for support.
- **DO NOT** select a tree in the dark or choose a tree in close proximity to a fence. You must not have any stumps or rocks beneath your tree.
- **NEVER** use TREE/LADDER STAND on a tree that is dead, diseased, leaning, or on wet and uneven ground as the tree may fall, break, or uproot.
- Your tree must not be wet, icy, or slippery or on wet, swampy, or loose ground that allows the tree to be unstable. Check ground under LADDER STAND to ensure it is firm and level.
- Be sure you have a level stand platform. Your tree must not lean or have any irregular shape.
- Tree must not have loose or scaly bark or excessive vines, nails, screws, or any other sharp object protruding that may sever webbing on product. Any surrounding trees must not lean or dead limbs that may fall onto you or your product.
- **NEVER HURRY!!** While climbing a TREE/LADDER STAND, make slow, even movements no more than ten to twelve inches at a time. Make sure you have proper contact with tree and/or TREE/LADDER STAND every time you move. **On ladder tree stands, ALWAYS maintain three points of contact with each step and ALWAYS lean forward as you climb.**



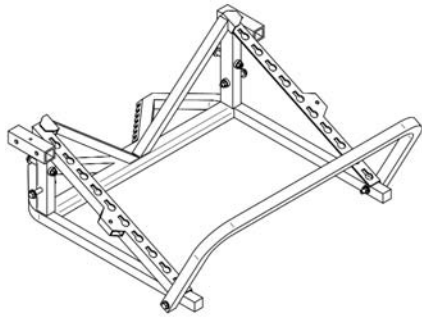
! CAUTION: Maximum Tested Weight Capacity Limit for this Product is: **300 POUNDS**
(Including Accessories, Gear and Attire) **DO NOT** Exceed tested weight limit capacity.

This product is designed for only ONE PERSON.

**Never remove any safety warning stickers from this product.
Safety must be your first priority during the use of this product.**

<h1>! WARNING !</h1>	
<p>DO NOT use this tree stand without reading and following all warnings and instructions before each use. Failure to do so may result in serious injury or death.</p>	<p>NEVER stand on tree stand rails, footrest, vertical, or shooting rail. Standing on any of these parts may cause serious injury or death.</p>
<p>ALWAYS inspect your tree stand before each use and DO NOT use if parts are missing, worn, or damaged.</p>	<p>NEVER make any adjustments or modifications to the tree stand. Doing so may result in serious injury or death.</p>
<p>ALWAYS wear a Full Body Harness while using this tree stand. Failure to wear a Full Body Harness while using this tree stand may result in serious injury or death.</p>	<p>NEVER use tree stand if you have sharp spots, a loose platform, are afraid of heights, have been advised by a doctor or other health care provider not to climb, or have any condition that would impair your ability to climb up or down or use tree stand as it could result in serious injury or death.</p>
<p>DO NOT exceed the tree stand's weight limit, which includes your body weight as well as the weight of your clothes and gear. Exceeding the tree stand's weight limit may result in serious injury or death.</p>	<p>NEVER remove or deface tree stand warning labels. Replacement labels can be obtained from the address to the right.</p>

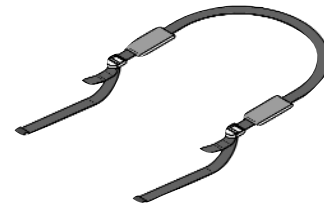
AMERISTEP
Ameristep Inc. 901 Tacoma Ct.
Clio, MI 48601
810 686 4035
Manufactured XXXX



(1) Climbing Aid / Seat Frame



(2) Cables with T-Knobs & Large Washers



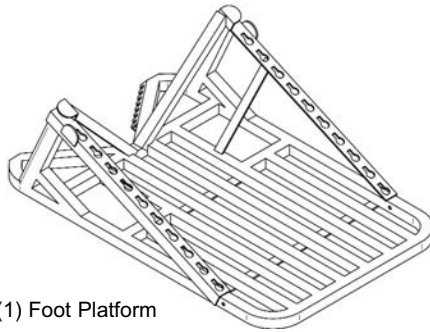
(1) Backpack Straps (Come Pre-Installed on Climber)



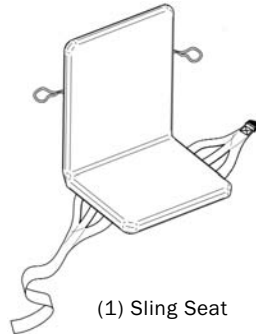
(2) T-KNOBS Comes pre-Installed on Cables



(2) Cinch Straps (Shown Assembled & Pre-Installed On Climber)



(1) Foot Platform



(1) Sling Seat



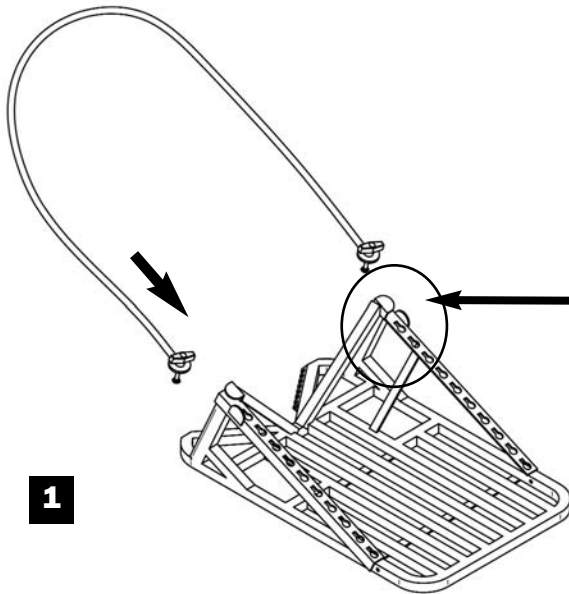
(1) Shooting Rail Pad



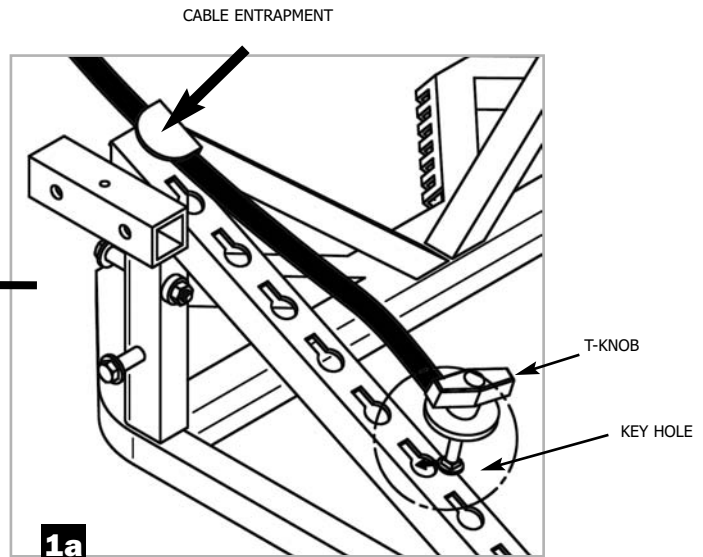
TMA-approved Safety Harness

ASSEMBLY - INSTALL CABLES

⚠ WARNING: Practice with product, wearing entire Hunting Gear & Safety Harness at ground level BEFORE ascending to any height. **ALWAYS** wear your Full Body Harness during installation and utilization. **NEVER** disconnect Full Body Harness during ascending, hunting or descending.



1



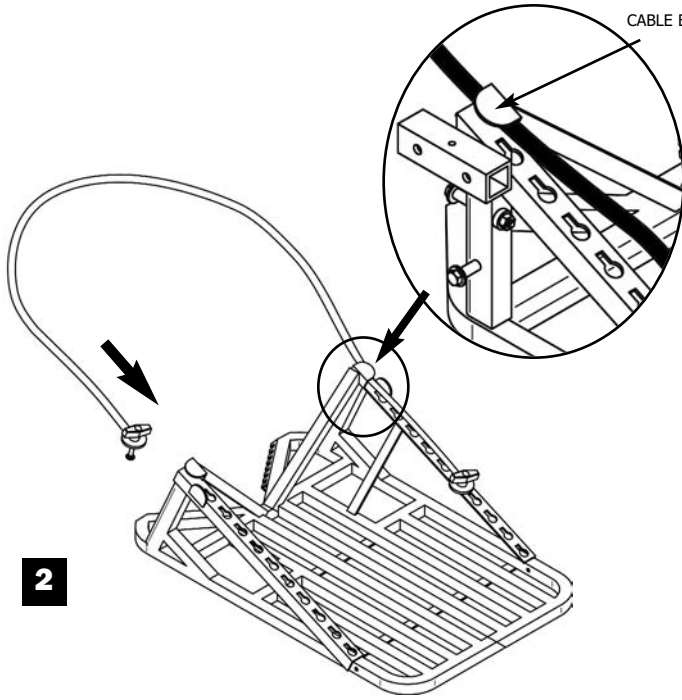
1a

Step 1: Thread one side of cable through cable entrapment of FOOT PLATFORM. Secure one end of cable with bolt and T-Knob to key hole point on frame and slide back until it locks into place (fig 1a). Tighten T-Knob on cable to lock cable in place.

Make sure when tightening, bolt head is locked into key hole slot to prevent cable from detaching from stand.



T-KNOB SHOWN TIGHTENED



2

Step 2: Place Platform against tree 1-2 ft off ground. Wrap Cable around tree, threading Cable through cable entrapments same as Step 1. Make sure cable length is adjusted so platform is tilting up at a slight angle (**fig 2b**).



3

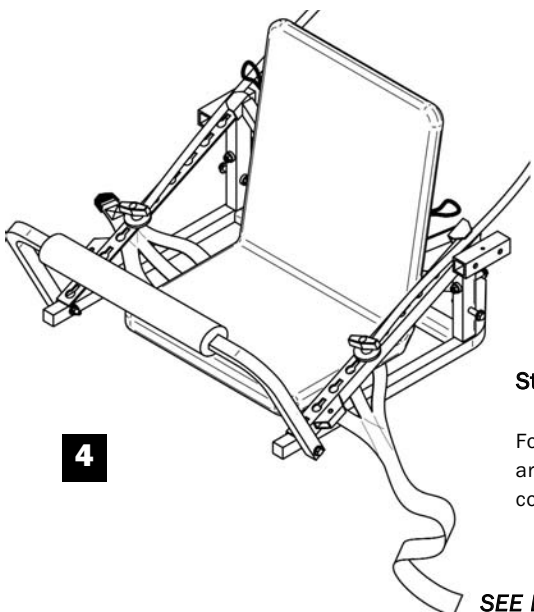
Step 3: Install Seat Frame above Platform as in STEPS 1 and 2 at identical angle.

! IMPORTANT:

Have both SEAT AND BOTTOM PLATFORMS angled towards base of tree to compensate for a smaller tree diameter at desired hunting height.



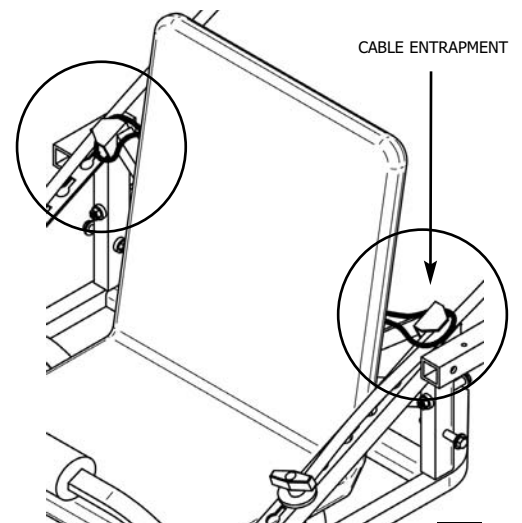
2b



4

Step 4: Attach Sling Seat to climbing aid.

For SLING SEAT BACK, hook bungee loops around cable entrapment tab at top back corner climbing aid (**fig 4 and 4a**).



4a

SEE Page 8: How to Install SLING SEAT BOTTOM.

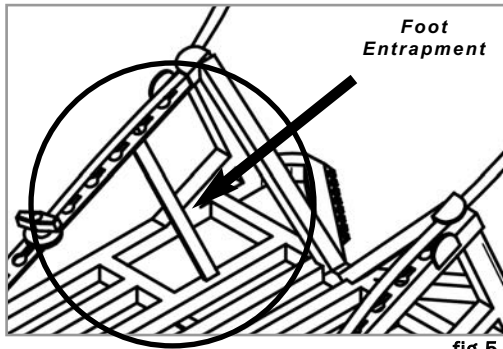
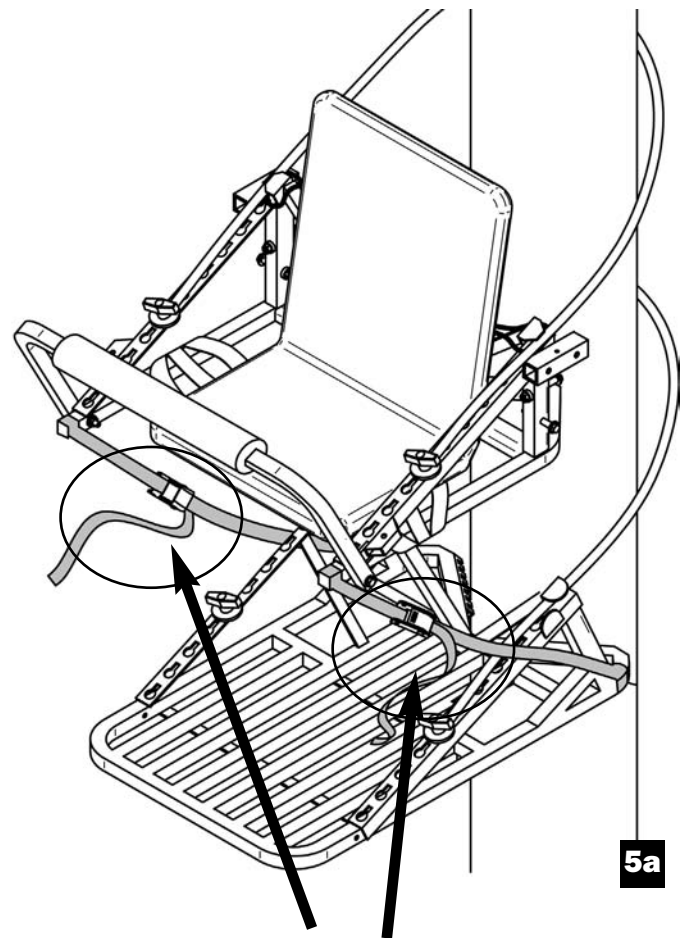


fig 5



Step 5: With **PLATFORM** 1-2 ft off ground, step cautiously onto platform. Slide Feet underneath each **FOOT ENTRAPMENT**. **Attach your harness to tree (as per harness instructions).**



CINCH STRAPS



Step 6: Raise **SEAT FRAME** to chest height.

Use **CINCH STRAPS** that (secured both platforms for transport) to join two sections of stand so **FOOT PLATFORM** and **SEAT FRAME** will **not** separate from one another accidentally. (See cinch strap instructions page 8)

Thread tag end of strap on platform through **STRAP BUCKLE** on upper portion and tighten appropriately.

Have straps adjusted with seat frame at chest height while standing on Platform. This will allow for ample range of movement while climbing.

⚠ WARNING: Platform level adjustments should only be made at ground level only.

! Cautiously put your weight on the stand platform. The additional weight will create tension on tree strap cables.

6



Step 1 – Sit on **SHOOTING REST** and lift your feet to raise **FOOT PLATFORM**. Once raised, secure hold on tree by putting standing pressure on **FOOT PLATFORM**.

Step 2 – With **FOOT PLATFORM** securely set, stand and lift up on **SEAT FRAME** to a comfortable level. Slide your harness up tree to take up slack.

Step 3 – Again, sit on **SHOOTING REST** and lift your feet to raise **FOOT PLATFORM** as in step 1.

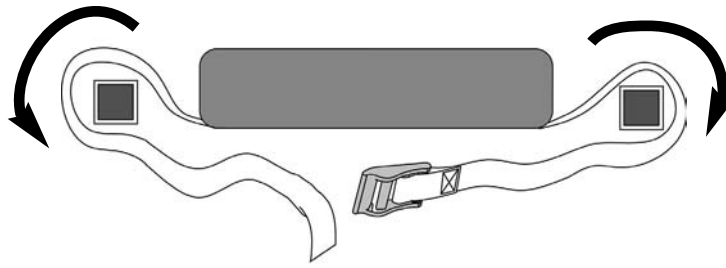
Step 4 – To continue climbing tree, repeat steps 1 and 2. Continuously adjust your harness to keep strap above your head with minimum slack. Practice at ground level with your full body harness. Familiarize yourself with this product’s function so you feel comfortable with procedure.

7

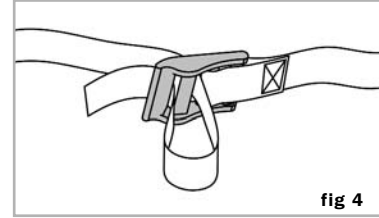
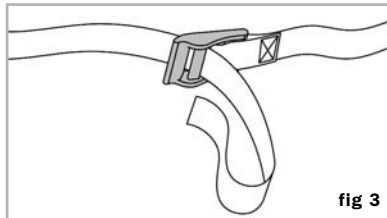
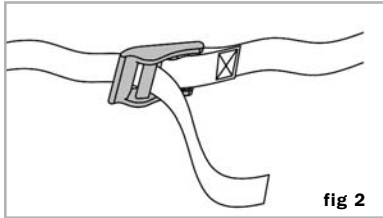


Step 5 – Climb to a comfortable height. Once you are set, secure **CINCH STRAPS** so they are tight in a sitting position.

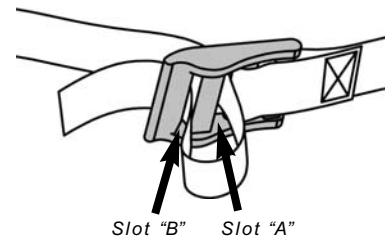
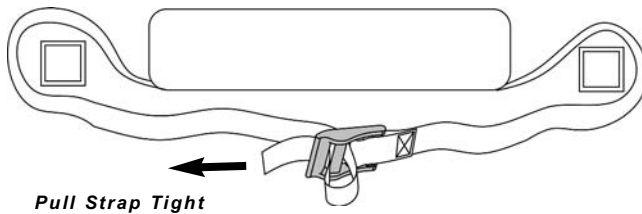
The pressure created on **SEAT FRAME** from securing **CINCH STRAP** will prevent **PLATFORM** and **SEAT FRAME** from slipping down should you decide to stand and take pressure off **SEAT FRAME**.



Step 1: Place buckle straps from each side of seat over bottom **SEAT FRAME**.



Step 2: Bring strap over piece in middle of buckle and insert through *Slot "A"* (fig 2).
Step 3: With tail end of strap opposite buckle, insert through *Slot "B"* (fig 3).
Step 4: Pull strap tight (fig 5). Top view showing seat installed (fig 4).



NEW ! "From the Ground Up™" Instruction DVD included with this product. If you need further instruction on set up / take down, please refer to Instructional Chapter on the Main Menu.

CINCH STRAP INSTRUCTIONS



Step 1: Hold buckle as shown.



Step 2: Press down on latch and insert Cinch Strap under teeth (as shown above).



Step 3: Pull cinch strap to desired length.



Pull cinch strap slack to tighten.

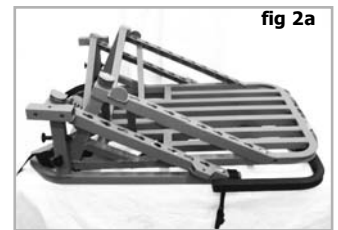
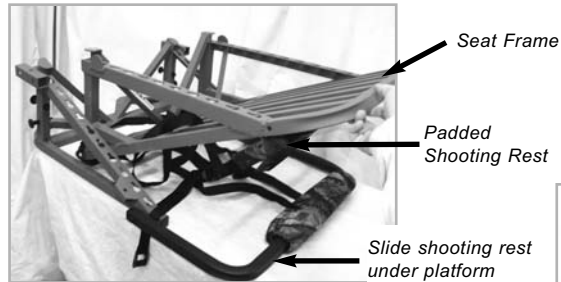
Step 1 – Loosen CINCH STRAPS to the length they were for climbing.

Step 2 – Sit on SHOOTING REST and lift up on foot platform slightly to release its lock on tree. Extend your legs down, sliding PLATFORM down until you can press down on PLATFORM and lock it into place again.

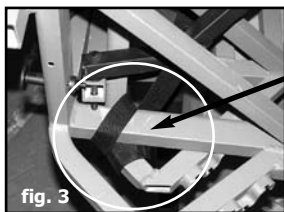
Step 3 – Lift up slightly on the SEAT PLATFORM to release its lock on tree and lower it to a comfortable sitting level. Before sitting on it, put hand pressure on the SEAT PLATFORM to lock it into the tree.

Step 4 – Repeat steps 1 and 2 until you reach the ground. Make sure to adjust your harness as you descend, keeping STRAP above your head with minimum slack.

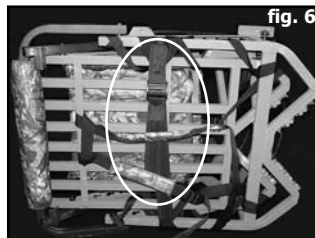
PACKING YOUR CLIMBER



Step 1: Place the SEAT FRAME inside upper platform. Place padded shooting rest under platform. Bring it up and over sliding padded shooting rest under platform. (fig 2) Shown (fig 2a) with both sections together.



Step 2: Take CINCH STRAP and wrap around both platforms, starting at each corner (fig 3). Wrap around corner and wrap two or three times on each side until both platforms are secured together (fig 4). Insert end of CINCH STRAP into BUCKLE and pull tight.



Step 3: Place SEAT on PLATFORM, take strap and wrap around BOTTOM of STAND and tighten securely so TREE STAND does not move. Thread into BUCKLE and pull tight (fig 6).

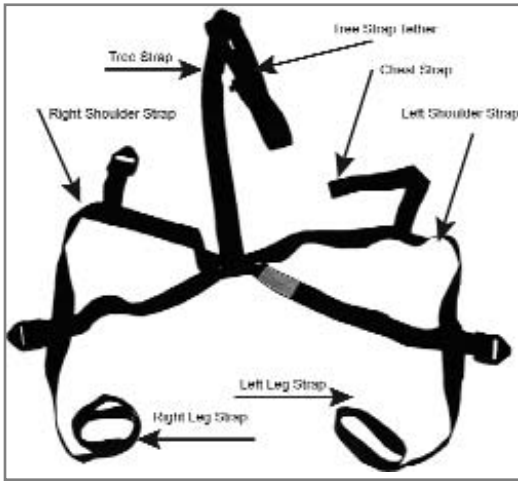


Step 4: Take T-KNOB at end of one cable. Place in first hole on CLIMBING AID (fig 7). Turn T-KNOB until tightened. Take rest of first cable and wrap around until you reach first hole on opposite side of Climbing Aid. Be sure to slide under slot on each corner (fig 8). Repeat with second cable.



Step 5: The Climber in its packed form (fig 9).

FULL BODY SAFETY HARNESS



· **ALWAYS** wear a Fall-Arrest System (FAS) Full Body Harness meeting TMA Standards even during ascent and descent. Your Full Body Harness must always be connected to yourself and the tree during ascending, hunting and descending. Be aware that single strap belts and chest harnesses are no longer the preferred Fall-Arrest devices and **should not** be used. Failure to use a FAS could result in serious injury or death.

· **NEVER** store your Harness in direct sunlight.
 · **ALWAYS** wear a Full Body Harness using this product.

You must replace your Full Body Harness every three years or after a fall.

· **ALWAYS** Only purchase, use tree stands and Fall-Arrest Systems (FSA) that meet or exceed TMA standards. For a detailed list of certified products contact the TMA office or refer to the TMA web site at: <http://www.tmastands.com>

Your Climbing Aid **MUST** Extend **ABOVE PLATFORM** to allow you to step down on PLATFORM.

FULL BODY SAFETY HARNESS INSTRUCTIONS

Note: Remove everything from your pockets before putting safety harness on or taking off.

Leg Buckles are Color-Coded: BLUE for the Left Leg GREEN for the Right Leg.

Step 1: Remove harness from storage bag. Spread harness out as shown in the diagram above.

Step 2: Unbuckle the strap on right leg first. Wrap the leg strap around upper leg (fig 1). Make sure that the webbing is not twisted. Connect the two parachute buckles (fig 2). Repeat this step with the left leg strap. Tighten slack in strap so that they fit snugly around your legs.



fig 1



fig 2



fig 3



fig 4

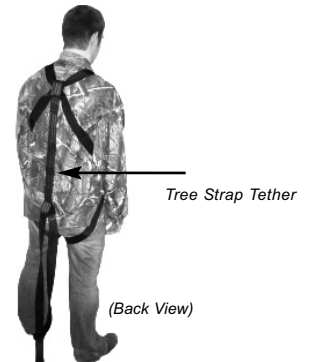
Step 3: Slide your right arm then your left arm through each shoulder strap (fig 3). The webbing in the back should cross the center of your back creating an "X". The suspenders should run over your shoulders and down the front of your chest. Pull the chest strap across your chest and insert one end of the parachute buckle through the other end. The two ends of the buckle will hold securely in place (fig 4).



(Front View)



(Side View)



Tree Strap Tether

(Back View)

NOTE: The back of harness forms an "X" with a horizontal Chest Strap at the bottom with two leg straps hanging from Chest Strap.

The long strap that hangs from the "X" is the Tree Strap Tether. The heavy strap is the tree strap which feeds through loop of tree tether strap and wraps around tree.

Be sure webbing is not twisted in front or back (**back view**).

The length of Harness must be minimized at **ALL TIMES**.

! WARNING NEVER disconnect your Full Body Harness during ascending, hunting or descending the tree.

ATTACHING YOUR FULL BODY SAFETY HARNESS TO TREE



fig 8



fig 9

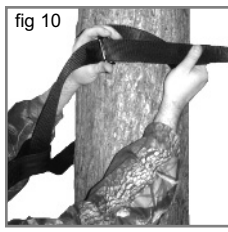


fig 10

Step 1: Wrap the strap around the tree (fig 8). Position strap above your head. With the Buckle in front of you, thread strap through Buckle (fig 9).

Step 2: Using the excess strap, tighten strap so it fits snugly around tree (fig 10). Tightened around a smooth surface of the tree, not over branches, knots or other irregularities.

Step 3: Pull out on front tab for quick release. This will immediately activate the quick release. Practice tightening and releasing this buckle (fig 11).



fig 11

SAFETY HARNESS TETHER STRAP

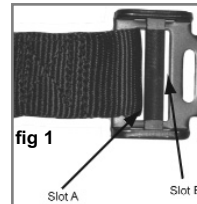


fig 1

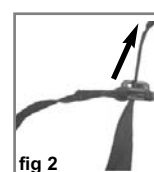


fig 2

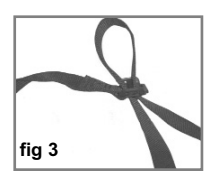


fig 3

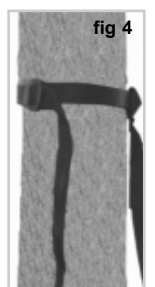


fig 4

1. Wrap Tether strap around tree once (fig 1)
2. Insert strap through Slot "A" (fig 2)
3. Pull strap through Slot "B" (fig 3)
4. Pull strap to adjust tension (fig 4)

LIMITED WARRANTY

READ THIS AGREEMENT

This Ameristep® product has a limited warranty. No other warranties, whether expressed or implied, including warranties of merchantability and fitness for a particular purpose, apply to the product.

I. GENERAL PROVISIONS OF LIMITED WARRANTY

- A. The original purchaser of this Ameristep® product is warranted against defects in material and workmanship for one year following the date of its retail purchase.
- B. The exclusive remedy for defects in material and workmanship under the warranty is replacement/ replacement parts.
- C. Ameristep® will, at its option, replace products not conforming to this limited warranty. This is the sole and exclusive remedy available under legal theory for this Ameristep® product.

II. NO OTHER WARRANTIES

NO OTHER WARRANTIES OR REPRESENTATIONS, WHETHER EXPRESSED OR IMPLIED, INCLUDING WARRANTIES OF MERCHANTABILITY AND FITNESS FOR A PARTICULAR PURPOSE, SHALL APPLY TO THE PRODUCT.

III. EXCLUSIONS, LIMITATIONS, AND CONDITIONS OF LIMITED WARRANTY

- A. This warranty cannot be assigned or transferred.
- B. This warranty only applies if the Ameristep® product is used in accordance with Ameristep's written instructions.
- C. Ameristep® products are intended only for use in hunting. Ameristep® products are not intended or authorized for use in any situations that may create health or injury risks.
- D. This warranty is void if the product is damaged through abuse, accident, improper use, negligence or normal wear and tear.
- E. This warranty is void if the product is altered, changed, or modified in any manner.
- F. This warranty is void if any attempt is made to repair the product without written authorization from Ameristep®.
- G. Except as provided in this limited warranty, all Ameristep® products are provided "as is." All other warranties and representations, oral or written, express or implied, including but not limited to any implied warranties of merchantability or fitness for a particular purpose, are excluded and do not apply.

IV. PROCEDURES IN EVENT OF DEFECT

- A. If you find a product to be defective, contact Ameristep at 1-810-686-4035.
- B. When you receive authorization from Ameristep®, return the product as directed by Ameristep®.

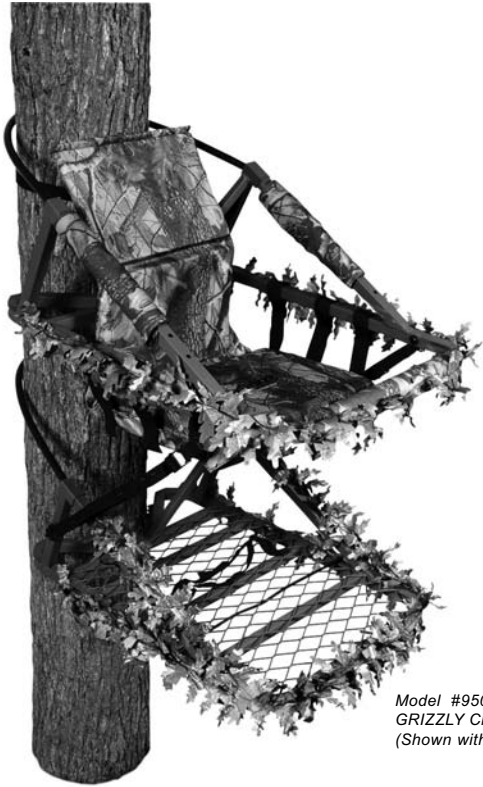
V. LIMITATION OF DAMAGES

- A. Ameristep® shall not, under any circumstances or legal theory, be liable or responsible for direct, indirect, special, incidental, or consequential damages.
- B. Ameristep® shall not, under any circumstances or legal theory, be liable or responsible for any amount in excess of the product purchase price.
- C. Ameristep® shall not, under any circumstances or legal theory, be liable or responsible for damage to items or equipment used with the Ameristep® product.
- D. Ameristep® shall not, under any circumstances or legal theory, be liable for personal injury, personal loss, lost profits, lost wages, goodwill, downtime, economic loss in excess of the product purchase price, or any non-economic damages.

VI. ADDITIONAL PROVISIONS

- A. This agreement is the entire agreement between you and Ameristep®. This agreement supercedes any prior or different agreements, representations, or proposals, whether written or oral.
- B. No representative, agent, or employee, of Ameristep® is authorized to make warranties, representations, or obligations, other than those set forth in this limited warranty.
- C. This agreement may only be changed through an express written agreement with Ameristep®.
- D. Waiver by any party of any default or breach of this agreement will not constitute a waiver of any subsequent default or breach of the same or different kind.
- E. If any action or provision of this agreement is found to be invalid, such invalidity does not affect or extend to other sections or provisions in the agreement.
- F. This warranty gives you the specific legal rights. You may also have other rights that vary from state to state. This agreement shall be governed by the laws of the State of Michigan, United States of America.

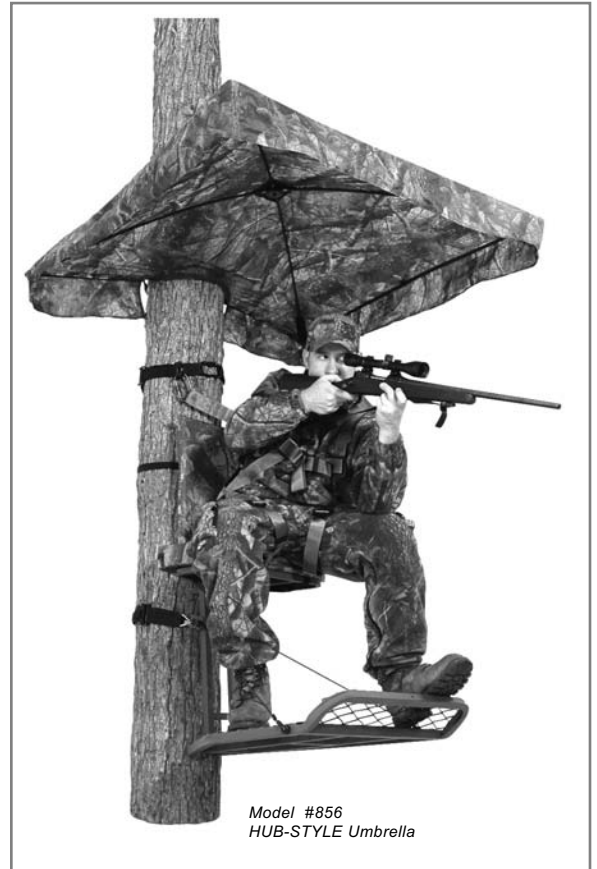
ADDITIONAL PRODUCTS TO ACCESSORIZE YOUR TREE STAND



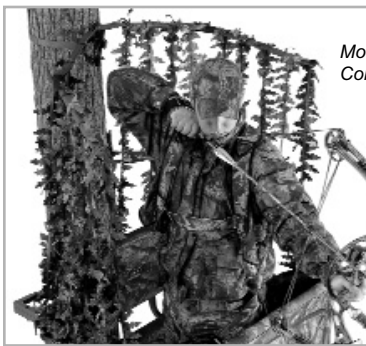
Model #9500
GRIZZLY Climber
(Shown with Edge ReLeaf® Strips)



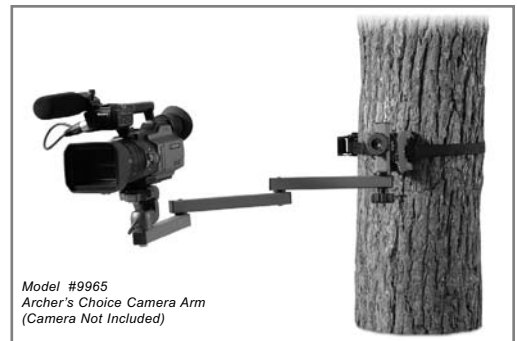
Model #9960
Edge ReLeaf® Strips



Model #856
HUB-STYLE Umbrella



Model #3330
Concealment Curtain



Model #9965
Archer's Choice Camera Arm
(Camera Not Included)



Model #900
Cable Lock

ACCESSORIES SOLD SEPARATELY